

STANDARD FEATURES

- Available in 63mm size
- Cast brass case and brass plated plastic ring with plastic window
- ¼ NPT lower and back connection available
- Dual scale dials with kPa in blue (outer scale); psi in black (inner scale); on white background

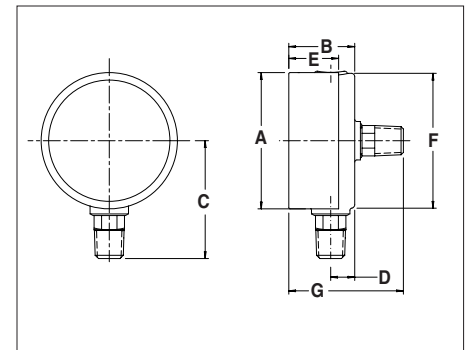

CATALOG NUMBERS

Dial Size	63mm	
	Back	Bottom
Connection Location	Back	Bottom
Connection NPT	¼	¼
Range (psi & kPa)		
30"/0/ vac. and -100/0 kPa	BY12JVC4CW	
30"/0/30 psi and -100/0/200 kPa		
30"/0/60 psi and -100/0/400 kPa	BY12JCC4CW	BY12JCC4LW
30"/0/150 psi and -100/0/1000 kPa		
0-15 psi and 100 kPa		
0-30 psi and 200 kPa	BY12JPD4CW	BY12JPD4LW
0-60 psi and 400 kPa	BY12JPE4CW	BY12JPE4LW
0-100 psi and 700 kPa		BY12JPF4LW
0-160 psi and 1100 kPa		BY12JPG4LW
0-200 psi and 1400 kPa		
0-300 psi and 2100 kPa	BY12JPJ4CW	BY12JPJ4LW
0-600 psi and 4200 kPa		
0-1000 psi and 7000 kPa		BY12JPP4LW
0-2000 psi and 14,000 kPa		
0-3000 psi and 21,000 kPa		BY12JPT4LW
0-5000 psi and 35,000 kPa	BY12JPV4CW	BY12JPV4LW
0/10,000 psi and 70,000 kPa	BY12JPY4CW	BY12JPY4LW

To order: specify 10-digit "catalog number" from above table.

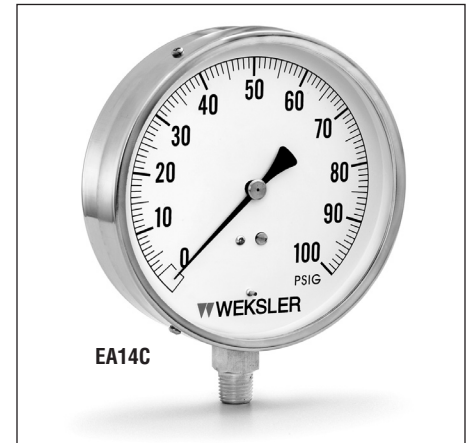
GAUGE DIMENSIONS BY12J

Lower Connection Gauge Size/Type		A	B	C	D-¼	E	F	
63 mm	BY12J	Inch	2.60	1.50	2.20	0.41	1.21	2.44
		mm	66	38	56	10	31	62
Back Connection Gauge Size/Type		A	B	F	G			
63 mm	BY12J	Inch	2.60	1.50	2.44	2.46		
		mm	66	38	62	62		



STANDARD FEATURES

- 4 1/2" diameter
- Corrosion Resistant Stainless Steel Case and Ring, Plastic Lens.
- Zero adjusting screw.
- Soft soldered phosphor bronze tube with brass socket. Suitable for steam, water, air, oil, gas or any medium not corrosive to copper alloys.
- Bronze/brass movement.
- Easy to read dial; white background with bold black numerals and graduations, 270° arc.
- 1/4 NPT bottom connection only.


PRESSURE RANGES

CATALOG NO	DIAL RANGES	FIGURE INTERVALS	SMALLEST GRADUATION
EA14A	0- 30 psi	5 psi	1/2 psi
EA14B	0- 60 psi	10 psi	1 psi
EA14C	0-100 psi	10 psi	1 psi
EA14D	0-160 psi	20 psi	2 psi
EA14E	0-200 psi	20 psi	2 psi
EA14F	0-300 psi	50 psi	5 psi
EA14G	0-500 psi	50 psi	5 psi

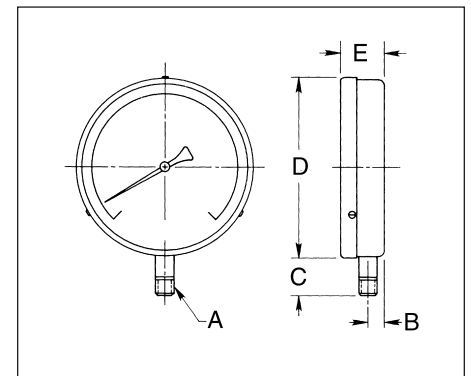
VACUUM RANGES

EA14H	30"-0 Hg. Vac	5 in.	1/2 in.
-------	---------------	-------	---------

COMPOUND RANGES

EA14J	30"-0- 30 psi	10" & 5 psi	1" & 1 psi
EA14K	30"-0-100 psi	15" & 10 psi	5" & 1 psi
EA14L	30"-0-150 psi	30" & 25 psi	5" & 5 psi

TO ORDER: SPECIFY 5 DIGIT "CATALOG NUMBER" FROM ABOVE TABLE.

DIMENSIONS

GAUGE DIMENSIONS – EA14C

A	B	C	D	E
1/4 NPT	7/16	1 1/16	4 15/16	1 3/16
	(11)	(27)	(126)	(30)